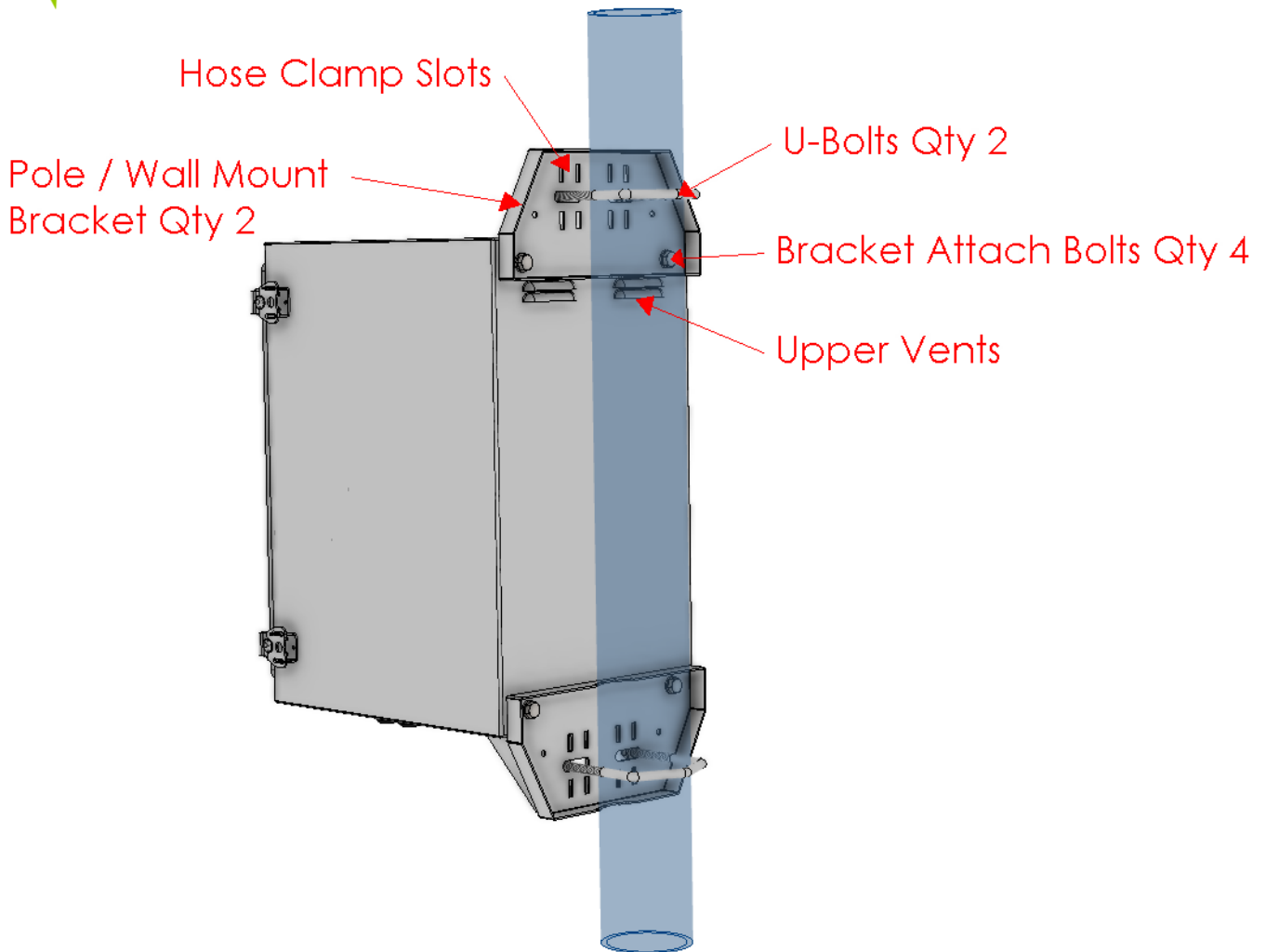


ENC-AL-21x14x15 Quick Start Guide



Note: If being used for holding batteries, we suggest adding batteries to the enclosure as the final step, once the enclosure is secured to a pole or wall.

1. Mounting

- 1.1. Attach the pole/wall brackets to the enclosure using the 4 stainless steel bolts.
 - 1.1.1. Note: There is a small support bracket that should be attached to the bottom bracket.
- 1.2. Mounting to a pole: Attach the enclosure to the pole using the two u-bolts and/or 4 hose clamps.
- 1.3. Mounting to a wall: Attach the enclosure to a wall using appropriate lag bolts (supplied by customer).

2. Ventilation

- 2.1. The enclosure comes with a thermostatically controlled ventilation fan that will turn on when the enclosure inside temperature exceeds 45deg C. The vent fan needs to be connected to a 12V-24VDC power source.
- 2.2. The typical application is for the fan direction to blow air into the enclosure so the pressure inside the enclosure is slightly higher than the outside pressure.
- 2.3. There are vents in the upper back of the enclosure and the lower front. The vent screens should be

checked periodically and cleaned to maintain good airflow.

3. Internal Mounting

- 3.1. There are mounts welded to the inside of the door to accommodate a flat plate or DIN rails. This allows for mounting of most equipment on the door so that it is easily accessible. There are also mounts welded to the upper back of the enclosure to mount equipment on the back wall.
- 3.2. There are short DIN rails welded to the inside of the front of the enclosure for convenience in mounting other equipment.

