

HPX8-102-R3M



2.4 m | 8 ft High Performance Parabolic Shielded Antenna, dual-polarized, 10.200–10.700 GHz, UBR100, gray antenna, enhanced white radome with flash, standard pack—two-piece reflector

Product Classification

Product Type Microwave antenna

General Specifications

Antenna Type	HPX - High Performance Parabolic Shielded Antenna, dual-polarized
Diameter, nominal	2.4 m 8 ft
Packing	Standard pack
Radome Color	White
Radome Material	Standard
Reflector Construction	One-piece reflector
Antenna Input	UBR100
Antenna Color	Gray
Antenna Type	HPX - High Performance Parabolic Shielded Antenna, dual-polarized
Diameter, nominal	2.4 m 8 ft
Flash Included	Yes
Polarization	Dual

Electrical Specifications

Operating Frequency Band	10.200 – 10.700 GHz
Beamwidth, Horizontal	0.9 °
Beamwidth, Vertical	0.9 °
Cross Polarization Discrimination (XPD)	30 dB
Front-to-Back Ratio	68 dB
Gain, Low Band	45.3 dBi
Gain, Mid Band	45.4 dBi
Gain, Top Band	45.5 dBi
Operating Frequency Band	10.200 – 10.700 GHz
Return Loss	26.4 dB
VSWR	1.10

HPX8-102-R3M

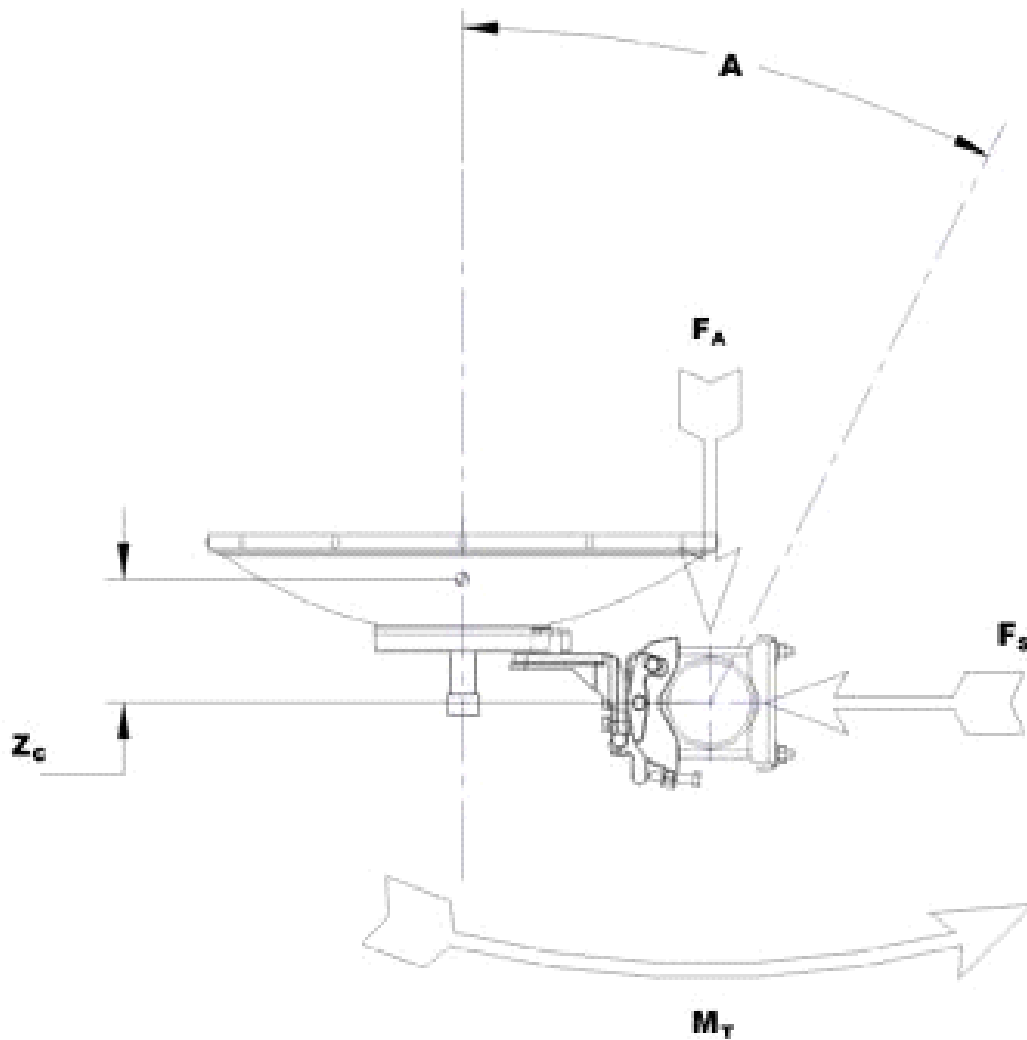
Mechanical Specifications

Fine Azimuth Adjustment	±5°
Fine Elevation Adjustment	±5°
Mounting Pipe Diameter	115 mm 4.5 in
Net Weight	227 kg 500 lb
Side Struts, Included	1 inboard 1 outboard
Side Struts, Optional	2 outboard
Wind Velocity Operational	110 km/h 68 mph
Wind Velocity Survival Rating	200 km/h 125 mph

Wind Forces At Wind Velocity Survival Rating

Angle α for MT Max	-110 °
Axial Force (FA)	11284 N 2537 lbf
Force on Inboard Strut Side	4260 N 958 lbf
Force on Outboard Strut Side	5630 N 1266 lbf
Side Force (FS)	5590 N 1257 lbf
Twisting Moment (MT)	-4901 N-m -3615 ft lb
Weight with 1/2 in (12 mm) Radial Ice	454 kg 1001 lb
Zcg with 1/2 in (12 mm) Radial Ice	729 mm 29 in
Zcg without Ice	673 mm 26 in

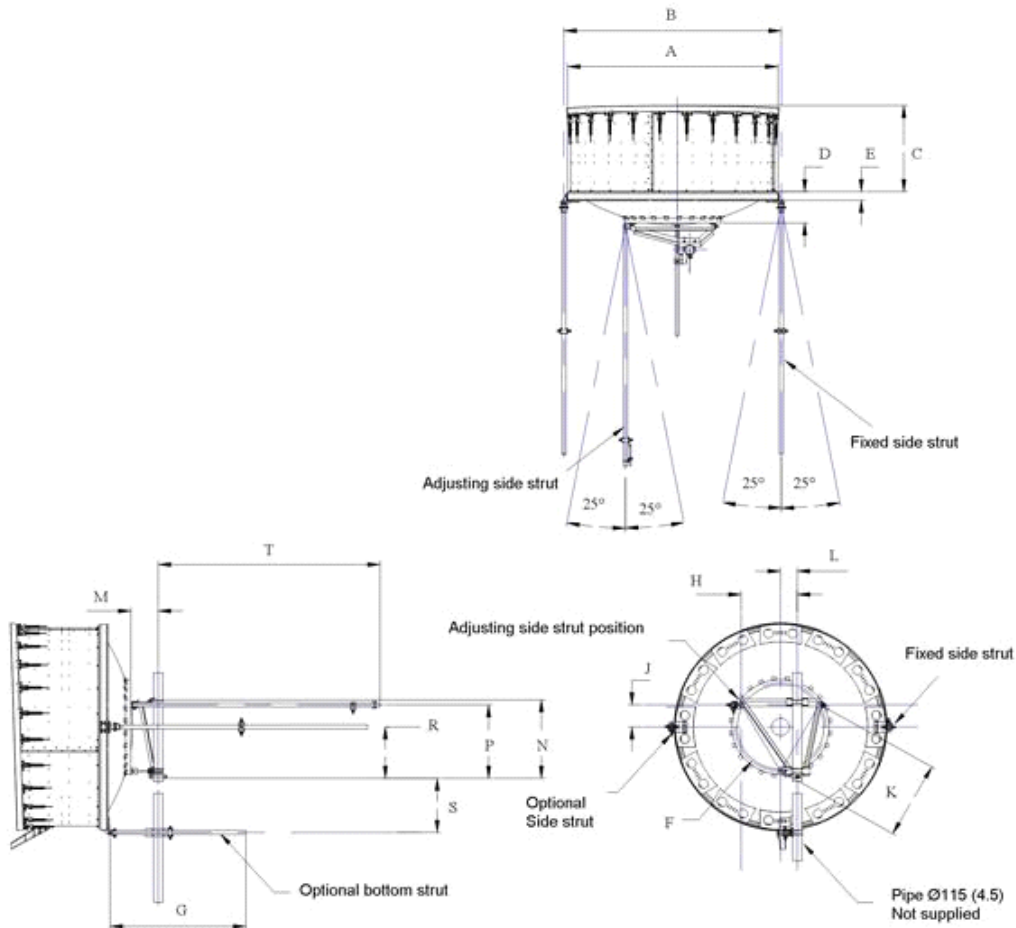
Wind Forces At Wind Velocity Survival Rating Image



Packed Dimensions

Gross Weight, Packed Antenna	421.0 kg 928.1 lb
Height	1590.0 mm 62.6 in
Length	2740.0 mm 107.9 in
Volume	5.1 m ³
Width	1160.0 mm 45.7 in

Antenna Dimensions And Mounting Information



ANTENNA DIMENSIONS			
All dimensions in mm (inches)			
A	2555 (100.5)	K	950 (37.5)
B	2705 (106.5)	L	200 (8)
C	1060 (41.75)	M	330 (13)
D	395 (15.5)	N	950 (37.5)
E	125 (5.0)	P	895 (35.25)
F	1100 (43.25)	R	625 (24.5)
G	1525 (60)	S	695 (27.25)
H	680 (26.75)	T	3050 (120)
J	275 (10.75)		

Regulatory Compliance/Certifications

HPX8-102-R3M

Agency

ISO 9001:2008

Classification

Designed, manufactured and/or distributed under this quality management system

* Footnotes

Axial Force (FA)	Maximum forces exerted on a supporting structure as a result of wind from the most critical direction for this parameter. The individual maximums specified may not occur simultaneously. All forces are referenced to the mounting pipe.
Cross Polarization Discrimination (XPD)	The difference between the peak of the co-polarized main beam and the maximum cross-polarized signal over an angle twice the 3 dB beamwidth of the co-polarized main beam.
Front-to-Back Ratio	Denotes highest radiation relative to the main beam, at $180^\circ \pm 40^\circ$, across the band. Production antennas do not exceed rated values by more than 2 dB unless stated otherwise.
Gain, Mid Band	For a given frequency band, gain is primarily a function of antenna size. The gain of Andrew antennas is determined by either gain by comparison or by computer integration of the measured antenna patterns.
Operating Frequency Band	Bands correspond with CCIR recommendations or common allocations used throughout the world. Other ranges can be accommodated on special order.
Packing	Andrew standard packing is suitable for export. Antennas are shipped as standard in totally recyclable cardboard or wire-bound crates (dependent on product). For your convenience, Andrew offers heavy duty export packing options.
Return Loss	The figure that indicates the proportion of radio waves incident upon the antenna that are rejected as a ratio of those that are accepted.
Side Force (FS)	Maximum side force exerted on the mounting pipe as a result of wind from the most critical direction for this parameter. The individual maximums specified may not occur simultaneously. All forces are referenced to the mounting pipe.
Twisting Moment (MT)	Maximum forces exerted on a supporting structure as a result of wind from the most critical direction for this parameter. The individual maximums specified may not occur simultaneously. All forces are referenced to the mounting pipe.
VSWR	Maximum; is the guaranteed Peak Voltage-Standing-Wave-Ratio within the operating band.
Wind Velocity Operational	The wind speed where the antenna deflection is equal to or less than 0.1 degrees. In the case of ValuLine antennas, it is defined as a maximum deflection of 0.3 x the 3 dB beam width of the antenna.
Wind Velocity Survival Rating	The maximum wind speed the antenna, including mounts and radomes, where applicable, will withstand without permanent deformation. Realignment may be required. This wind speed is applicable to antenna with the specified amount of radial ice.