

Product Data Sheet



KP-11PDFX-2 0.6M | 2FT HIGH PERFORMANCE PARABOLIC ANTENNA, DUAL POLARIZED, N-TYPE, 10.7-11.7GHZ, UBIQUITI AIRFIBER® 11FX

- High Performance ETSI Class 2 | FCC Cat. B Parabolic Antennas – Excellent performance for a wide range of point-to-point applications
- Comes with Ubiquiti airFiber® 11FX mounting kit
- Fully Preassembled at the Factory – Simplifies installation onsite and guarantees “factory tested” quality
- Heavy-duty hardware survives 250km/h

Electrical Specification

Frequency Band	MHz	10.7-11.7
Gain (Low Mid High)	dBi	34 34.3 34.4
Polarization		Dual
Horizontal HPBW	Degree	3.4
Vertical HPBW	Degree	3.4
Front-to-Back Ratio @ 180°±30°	dB	60
Cross-polarization Ratio over HPBW	dB	30
VSWR		1.5 typ 1.8 max
Return Loss	dB	14 typ 11 max
Port-to-Port Isolation	dB	30 typ 24 max
Max. Input Power per Port	W	100
Impedance	Ohms	50

Mechanical Specifications

Diameter, nominal	2ft 0.6m	Antenna Color	White
Antenna Input	2 x N-type Female	Radome Material	UV resistant ABS
Temperature Range	-40° to +60° C	Wind Speed Operational	145 km/h 90 mph
Fine Azimuth Adjustment	+ / - 10 degrees	Wind Speed Survival	250 km/h 155 mph
Fine Elevation Adjustment	+ / - 10 degrees	Wind Load, Axial (FA)	899 N 202 lbs
Mounting Pipe Diameter	2 – 4.5 in 5.1 – 11.4 cm	Wind Load, Side (FS)	445 N 100 lbs
Net Weight	27 lbs 12.3 kg	Twisting Moment (MT)	194 ft-lbs 263 Nm

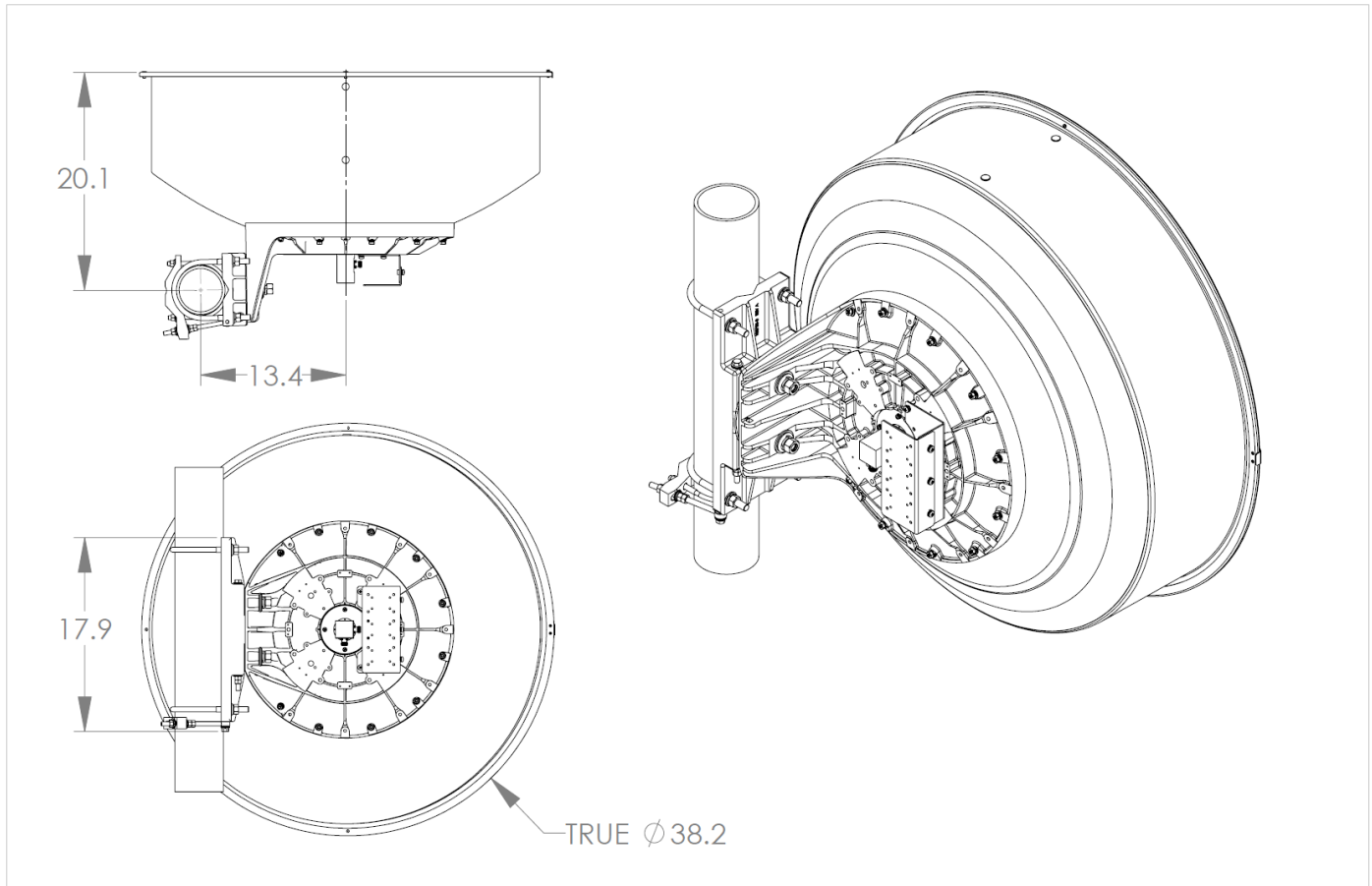
Regulatory Compliance

FCC	Part 101 Cat. B	Industry Canada Compliance	undeclared
ETSI	302217 R1 C2	RoHS-compliant	Yes

Shipping Information

Package Type	Cardboard	Dimensions, L x W x H	31 x 31 x 25 in 79 x 79 x 64 cm
Gross Weight	48 lbs 28.7 kg	Shipping Volume	13.9 cu ft 0.39 cu m

Mechanical Drawings



Appendix

HPBW: Average and variation of the antenna's 3dB beamwidth (half power beamwidth) in its horizontal (Azimuth) or vertical (Elevation) pattern.

Gain: Antenna's average gain and variation in each frequency band.

Front to Back Ratio @ $180^{\circ} \pm 30^{\circ}$: Difference between the antenna's maximum gain and the maximum gain in the antenna's back lobe over $\pm 30^{\circ}$ angles.

Cross-polarization Ratio over HPBW (dB): Maximum difference between the co-polarization and cross-polarization gain across the sector's HPBW.

Wind load, Axial: Front loading on the mast at survival wind speed.

Wind load, Side: Side loading on the mast at survival wind speed.

Twisting Moment: Rotational loading on the mast at survival wind speed..