

# Product Data Sheet

☎ 1-855-276-5772 or 780-702-7577  
✉ info@kpperformance.com  
✉ 15397 117 Ave, Edmonton, AB T5M3X4, Canada



## KP-35DOMNI-HV

4-port dual-band OMNI antenna, 3300-3800 MHz / 5150-5850 MHz, High gain (11/12 dBi) and Horizontal/Vertical Polarization

- Two frequencies in a single radome enclosure with one mounting point
- Dualband 2x2 MIMO or 4x4 MIMO with carrier aggregation
- Highest gain dualband OMNI on the market

### Electrical Specification

Frequency Band	MHz	3300—3800	5150—5850
Gain	dBi	11±0.5	12±0.5
Polarization		Horizontal/Vertical	Horizontal/Vertical
Horizontal HPBW	Degree	360	360
Vertical HPBW	Degree	7.5±0.6	7.4±0.7
Electrical Downtilt	Degree	2	2
Cross-polarization Ratio	dB	20	20
VSWR		1.7 typ   2 max	1.7 typ   2 max
Return Loss	dB	12 typ   10 max	12 typ   10 max
Port-to-Port Isolation	dB	30	30
Max. Input Power per Port	W	100	100
Impedance	Ohms	50	50

### Mechanical Specifications

RF Connector Type	Type N Female
RF Connector Quantity	4
RF Connector Position	Bottom of radome
Electrical Grounding	RF connector grounded to reflector and mounting bracket
Radome Material	UV resistant PVC
Ingress Protection	IP55 rain and dust resistant
Operating Temperature	-40° to +65° C
Max. Wind Speed	210km/h   130mph

### Bracket Specifications

Material Type	Power Coated Galvanized Steel
Mounting Type	Pipe Mount
Mounting pole diameter	40 mm – 60 mm   1.6 in – 2.4 in

### OMNI Dimensions

Diameter	84mm   3.3 in
Length	1400 mm   55.1 in
Net Weight, with brackets	3.9 kg   8.6 lb

# Product Data Sheet

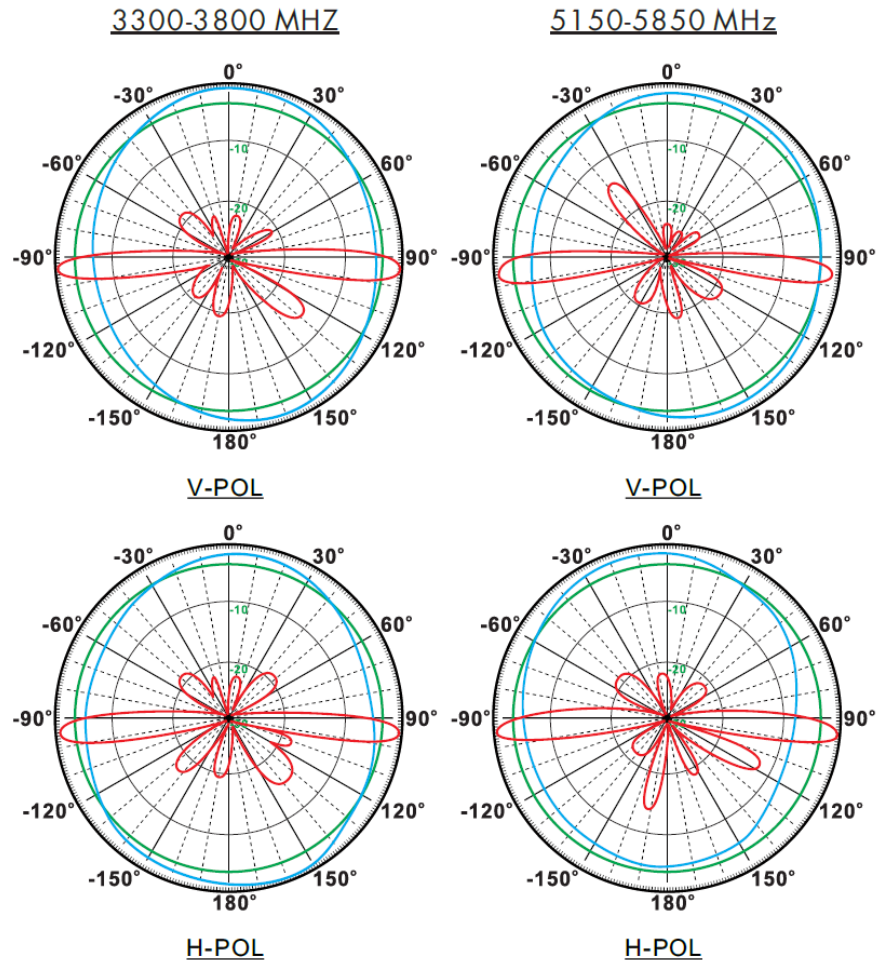
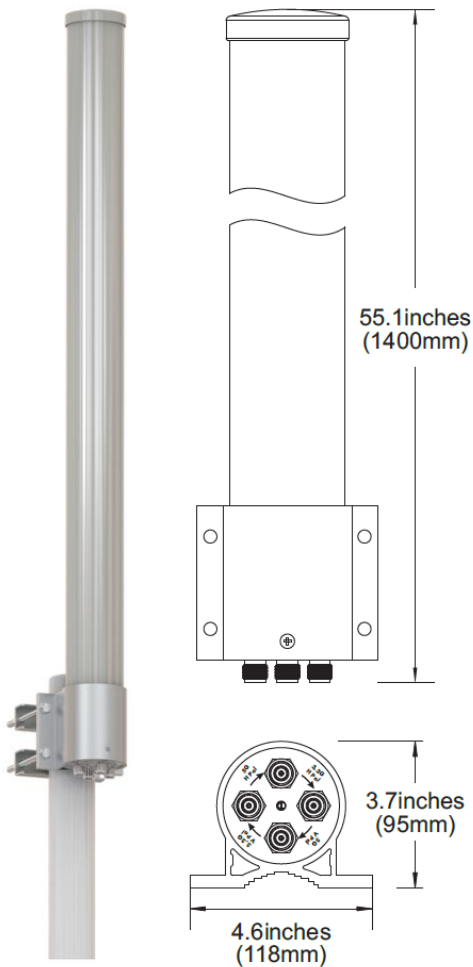
☎ 1-855-276-5772 or 780-702-7577  
 📧 info@kppformance.com  
 ✉ 15397 117 Ave, Edmonton, AB T5M3X4, Canada



## Package Dimensions

Length	1470 mm		57.9 in
Width	127 mm		5 in
Height	102 mm		4 in
Net Weight	4.25 kg		9.35 lb

## Graphical Data



## Appendix

HPBW: Average and variation of the antenna's 3dB beamwidth in its horizontal (Azimuth) or vertical (Elevation) pattern.

Electrical Downtilt: Angle in the antenna's elevation pattern in which the maximum gain occurs.

Gain: Antenna's average gain and variation in each frequency band.

Cross-polarization Ratio (dB): Maximum difference between the co-polarization and cross-polarization gain across the OMNI's 360deg azimuth pattern.